



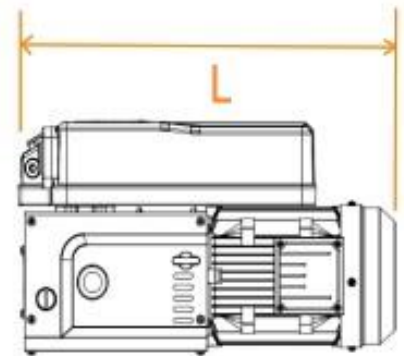
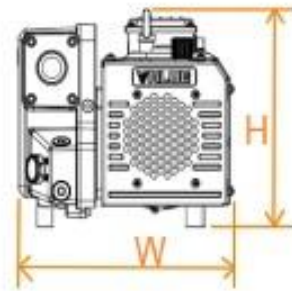
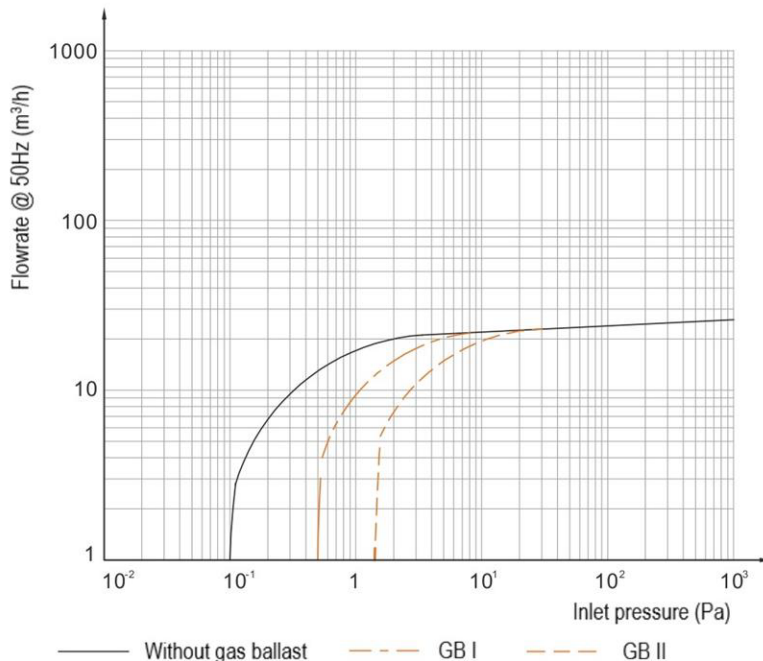
NAVAC offers the NRS series rotary vane pumps. These are single stage, air-cooled, and direct driven for long term and continuous use. Common applications include: Analytical Instruments (mass spectrometry, SEM)

- ✓ Battery Manufacturing (Li-ion) and Solar Panels
- ✓ Food & Beverage (Thermoforming, Vacuum Packaging, Vacuum Cooling, Filling/Sealing)
- ✓ Vacuum Conveying and lifting
- ✓ Medical / Hospitals (central vacuum, surgical, R&D)
- ✓ Plastics (thermoforming, Calibration table, Extruder degassing)

DESIGN FEATURES

- Two shift gas ballast valve – allows for the different requirements of condensable gases to be exhausted.
- High efficiency oil mist filters prevent smoking and oil vapor exhausting into the equipment space while also prolonging the service life.
- Dual automatic anti-suckback design – protects vacuum system from oil contamination in the event of an unexpected shutdown.
- Sealing parts are made from FPM improving the anti-corrosion performance and preventing oil leakage.
- Integrated pump and motor design.

NRS28 Flow Rate Characteristic



TECHNICAL DATA



Pumping Speed (m ³ /h / cfm)	50 Hz	28 / 16.5
	60 Hz	34 / 20
Rotational Speed	50 Hz	1440
	60 Hz	1720
Ultimate Total Pressure	torr	2.25 x 10 ⁻¹
	mbar	3.00 x 10 ⁻¹
Ultimate Total Pressure - GB I	torr	3.75 x 10 ⁻¹
	mbar	5.00 x 10 ⁻¹
Ultimate Total Pressure - GB II	torr	1.125
	mbar	1.5
Standard Cooling Method		air
Dimension (L x W x H)	in	12.5 x 10.6 x 9.8
	mm	496 x 268 x 248
Weight	(lb/kg)	66 / 30
Connection ports (inlet / outlet)		G 3/4"
Power Rating	kW	1.1
	hp	1.5
Oil Capacity	ml	1000
Sound emission	dB(A)	≤ 58
Water Vapor Tolerance - GB I	torr	11
	mbar	15
Water Vapor Capacity - GB I	kg/h	0.3
Water Vapor Tolerance - GB II	torr	22
	mbar	30
Water Vapor Capacity - GB II	kg/h	0.5
Protection Category		IP54
Ambient Temperature range	°C	10 - 40

ORDERING INFORMATION

Product Description	Order No.
200-220/380-415V, 50Hz, 200-230/460v, 60Hz, 3 ph	N20281001
Service Kit	NSK28
Oil Mist Filter	320750621
Oil Filter	N/A